

SCIENTIFIC REPORTS



OPEN

Measurement of Stokes-operator squeezing for continuous-variable orbital angular momentum

Jun Guo^{1,2}, Chunxiao Cai^{1,2}, Long Ma^{1,2}, Kui Liu^{1,2}, Hengxin Sun^{1,2} & Jiangrui Gao^{1,2} 

We demonstrate experimentally a measurement scheme for the Stokes operators for the continuous-variable squeezed states of orbital angular momentum (OAM). An OAM squeezed state is generated by coupling a dim Hermite-Gauss HG₀₁-mode quadrature-squeezed light beam with a bright HG₁₀-mode coherent light beam on a 98/2 beam splitter. Using an asymmetric Mach-Zehnder interferometer with an extra Dove prism in one arm, we measured the three orbital Stokes operators of the OAM squeezed states with a self-homodyne detection and finally characterized their positions and noise on the orbital Poincaré sphere.

Propagating light beams carry spin angular momenta (SAM) associated with the polarizations and orbital angular momenta (OAM) related to the spatial helical phase structures¹. Recently, the quantum OAM states have attracted increasing attention because of added increases in dimensionality of the associated Hilbert space and their potentials for quantum imaging², quantum metrology³, and quantum storage⁴. For example, the quantum OAM states can be applied to measure the rotation angle of optical beams beyond the shot-noise limit (SNL)⁵. Another important application of the OAM states is their connectivity with atoms, allowing for storage of quantum information^{6,7}.

Compared with the vast majority of research on discrete OAM states in the single-photon regime^{8–10}, there has been very little work concerning the continuous-variable (CV) OAM states. CV entanglement between two Laguerre-Gauss modes was first realized in a hot vapour based on four-wave mixing^{11,12}. CV entanglement between the first-order OAM states has also been produced in a type-I optical parametric oscillator (OPO) and the orbital Stokes operators of the OAM states were demonstrated to be squeezed¹³. CV hyper-entanglement, i.e., simultaneous entanglements of SAM and OAM, has been theoretically predicted¹⁴ and experimentally realized in a multimode type-II OPO¹⁵.

However, in refs 13 and 15, the squeezing and entanglement of the orbital Stokes operators were inferred from the measured quadrature squeezing and entanglement of Hermite-Gauss and Laguerre-Gauss modes based on balanced homodyne detection with spatially tailored local oscillators. In 2009, Lam *et al.* theoretically proposed a spatial detection scheme comprised of an asymmetric Mach-Zehnder interferometer and a pair of cylindrical lenses to measure all three Stokes operators of OAM¹⁶, but until now no experiment has been reported.

In this Letter, we propose and demonstrate experimentally a scheme to measure all three Stokes operators of OAM requiring an asymmetric Mach-Zehnder interferometer with a Dove prism in one arm. This scheme is more convenient to operate in experiments, and the set-up is broadly applicable to the first-order OAM states. With no local oscillator needed, the first-order OAM states entering the set-up can be measured. In contrast, for balanced homodyne detection, a local oscillator is required that is spatially tailored to the first-order mode to be measured. In addition, our scheme is more efficient in certain nonlocal quantum information protocols, in which it is hard to select the optimal local oscillators, such as quantum state transmission¹⁷ and quantum key distribution¹⁸.

Orbital angular momentum squeezed state

Similar to the polarization of light, the first-order spatial modes can also be characterized by the orbital Stokes operators and mapped onto the orbital Poincaré sphere^{16,19}. Such a sphere is displayed in Fig. 1 for the first-order OAM modes.

¹State Key Laboratory of Quantum Optics and Quantum Optics Devices, Institute of Opto-Electronics, Shanxi University, Taiyuan, 030006, China. ²Collaborative Innovation Center of Extreme Optics, Shanxi University, Taiyuan, Shanxi, 030006, People's Republic of China. Correspondence and requests for materials should be addressed to K.L. (email: liukui@sxu.edu.cn) or J.G. (email: jrgao@sxu.edu.cn)

Received: 31 January 2017
Accepted: 10 May 2017
Published online: 30 June 2017

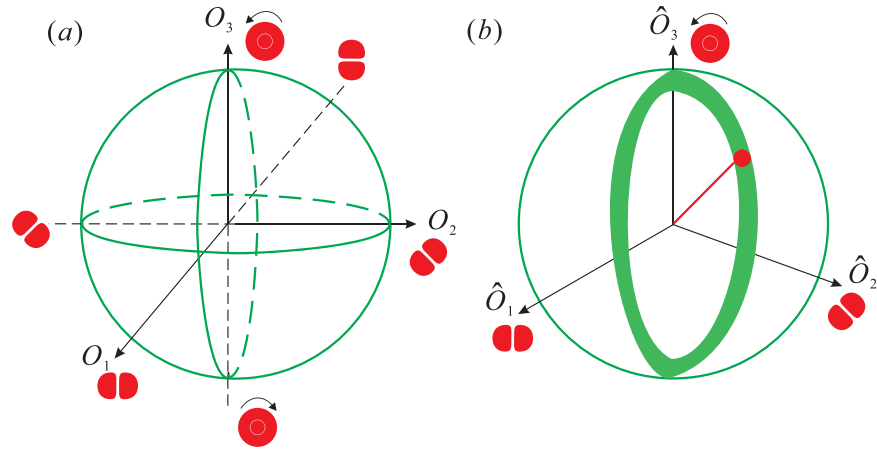


Figure 1. (a) Orbital Poincaré sphere for the first-order spatial modes. (b) Quantum noise representation of OAM state (thick ring) on the Poincaré sphere.

The quantum orbital Stokes operators for the first-order OAM modes can be expressed as¹⁶

$$\begin{aligned}
 \hat{O}_0 &= \hat{a}_{10}^\dagger \hat{a}_{10} + \hat{a}_{01}^\dagger \hat{a}_{01} \\
 \hat{O}_1 &= \hat{a}_{10}^\dagger \hat{a}_{10} - \hat{a}_{01}^\dagger \hat{a}_{01} \\
 \hat{O}_2 &= \hat{a}_{10}^\dagger \hat{a}_{01} e^{i\varphi} + \hat{a}_{01}^\dagger \hat{a}_{10} e^{-i\varphi} \\
 \hat{O}_3 &= i\hat{a}_{01}^\dagger \hat{a}_{10} e^{-i\varphi} - i\hat{a}_{10}^\dagger \hat{a}_{01} e^{i\varphi},
 \end{aligned} \tag{1}$$

where \hat{O}_0 , \hat{O}_1 , \hat{O}_2 and \hat{O}_3 denote respectively operators corresponding to the total number of photons, the difference in photon number between modes HG_{10} and HG_{01} modes, and likewise between the pair of modes $HG_{10}^{45^\circ}$ and $HG_{10}^{135^\circ}$, and modes LG_0^{+1} and LG_0^{-1} ^{13,15}. $\hat{a}_{10(01)}^\dagger$ and $\hat{a}_{10(01)}$ are the creation and annihilation operators for the HG_{10} (HG_{01}) modes, φ is the phase difference between modes HG_{10} and HG_{01} . The definitions of \hat{O}_2 and \hat{O}_3 in Eq. (1) contain the product of annihilation operators relative to two different field modes. This in turn implies that to have an apparatus able to effectively realise this operator, spatial and temporal profiles of the two modes have to match optimally (perfectly in the ideal case) and a control on the relative phase between the two modes is needed.

The annihilation operators of photons can be linearized as $\hat{a}_{10(01)} = \alpha_{10(01)} + \Delta\hat{a}_{10(01)}$, where $\alpha_{10(01)}$ represents the mean amplitude and $\Delta\hat{a}_{10(01)}$ is the quantum noise operator. Introducing the amplitude and phase quadrature operators $\hat{X} = \hat{a} + \hat{a}^\dagger$ and $\hat{Y} = -i(\hat{a} - \hat{a}^\dagger)$, then

$$\Delta\hat{a}_{10(01)} = \frac{1}{2}(\Delta\hat{X}_{10(01)} + i\Delta\hat{Y}_{10(01)}). \tag{2}$$

The noise variances of the Stokes operators shown in Fig. 1(b) are obtained as

$$\begin{aligned}
 \Delta^2\hat{O}_0 &= \alpha_{10}^2\Delta^2\hat{X}_{10} + \alpha_{01}^2\Delta^2\hat{X}_{01} \\
 \Delta^2\hat{O}_1 &= \alpha_{10}^2\Delta^2\hat{X}_{10} + \alpha_{01}^2\Delta^2\hat{X}_{01} \\
 \Delta^2\hat{O}_2 &= \cos^2\varphi(\alpha_{01}^2\Delta^2\hat{X}_{10} + \alpha_{10}^2\Delta^2\hat{X}_{01}) + \sin^2\varphi(\alpha_{01}^2\Delta^2\hat{Y}_{10} + \alpha_{10}^2\Delta^2\hat{Y}_{01}) \\
 \Delta^2\hat{O}_3 &= \sin^2\varphi(\alpha_{01}^2\Delta^2\hat{X}_{10} + \alpha_{10}^2\Delta^2\hat{X}_{01}) + \cos^2\varphi(\alpha_{01}^2\Delta^2\hat{Y}_{10} + \alpha_{10}^2\Delta^2\hat{Y}_{01}).
 \end{aligned} \tag{3}$$

Here $\Delta^2\hat{X}_{10(01)}$ and $\Delta^2\hat{Y}_{10(01)}$ are the noise variances of amplitude quadrature ($\hat{X} = \hat{a} + \hat{a}^\dagger$) and phase quadrature ($\hat{Y} = -i(\hat{a} - \hat{a}^\dagger)$) operators for $\hat{a}_{10(01)}$ modes. $\alpha_{10(01)}$ are the mean amplitudes for the two modes. These equations state that different types of OAM squeezed states can be generated through combinations of quadrature-squeezed states. For example, if we couple two amplitude-squeezed states of the HG_{10} and HG_{01} modes [i.e., $\Delta^2\hat{X}_{01} < 1$ and $\Delta^2\hat{X}_{10} < 1$] with their relative phase $\varphi=0$, then squeezing of the operators \hat{O}_0 , \hat{O}_1 , \hat{O}_2 is obtained; \hat{O}_3 appears anti-squeezed when mapped onto the orbital Poincaré sphere. The volume of quantum noise is represented as a “cigar-like” ellipsoid [Fig. 2(a)], which has been generated in ref. 13. When $\varphi=\pi/2$, then squeezing of \hat{O}_0 , \hat{O}_1 , \hat{O}_3 is achieved, and \hat{O}_2 is anti-squeezed. The state is also cigar-like [Fig. 2(b)]. If we couple two phase-squeezed states for modes HG_{10} and HG_{01} [i.e., $\Delta^2\hat{Y}_{01} < 1$ and $\Delta^2\hat{Y}_{10} < 1$] with their relative phase $\varphi=0$, then \hat{O}_0 , \hat{O}_1 , \hat{O}_2 are anti-squeezed and only \hat{O}_3 is squeezed when mapped onto the Poincaré sphere; a “pancake-like” ellipsoid is produced [Fig. 2(d)]. When $\varphi=\pi/2$, only \hat{O}_2 is squeezed, whereas \hat{O}_0 , \hat{O}_1 , \hat{O}_3 are anti-squeezed. The state is also pancake-like [Fig. 2(c)]. In addition, if we couple a bright coherent HG_{10} mode [i.e., $\Delta^2\hat{X}_{10} = 1$] with a dim amplitude squeezed HG_{01} mode [i.e., $\Delta^2\hat{X}_{01} < 1$] or a bright coherent HG_{01} mode with a dim amplitude squeezed HG_{10} mode with $\varphi=0$, then \hat{O}_2 is squeezed, \hat{O}_3 is anti-squeezed, and \hat{O}_0 and \hat{O}_1 are shot noise limited (SNL). The quantum spheres are “pancake-like” ellipsoids [Fig. 2(e)]. If $\varphi=\pi/2$, \hat{O}_3 is squeezed,

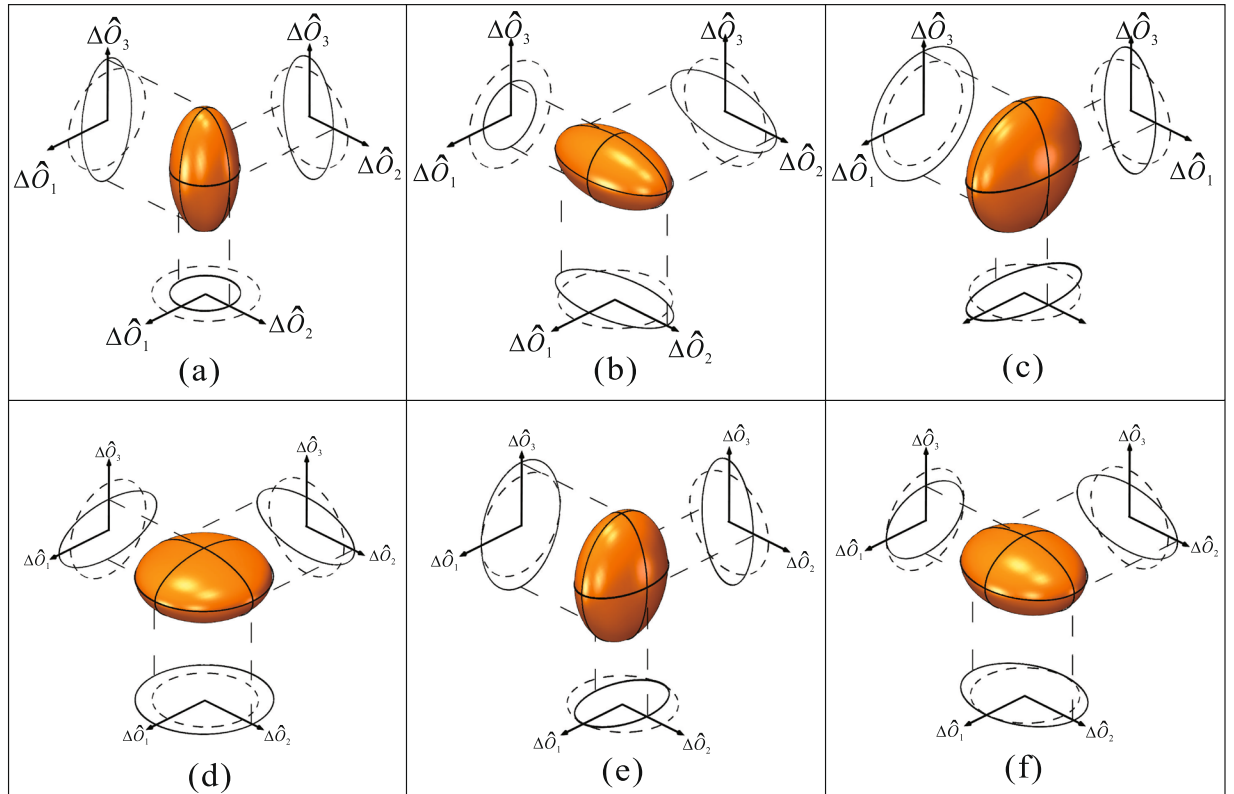


Figure 2. Orbital Poincaré spheres for the different types of OAM squeezed states.

\hat{O}_2 is anti-squeezed, and \hat{O}_0 and \hat{O}_1 are SNL. The state is also pancake-like [Fig. 2(f)]. Here the quantum states shown in Fig. 2(e) and (f) are generated and measured in the experiment.

Detection scheme

To measure the three orbital Stokes operators (see Fig. 3), we propose a scheme based on the asymmetric Mach-Zehnder interferometer with a Dove prism in one arm. The Dove prism is used to convert a HG_{10} mode into a HG_{01} mode or vice versa. In an asymmetric Mach-Zehnder interferometer, there are two mirrors M1 and M2 in arm a ^{16,20} that add an extra phase $e^{i\pi}$ to the HG_{10} mode but have no effect on the HG_{01} mode. M1 and M2 are the same for the first three schemes (1), (2), and (3) used in the detection of \hat{O}_0 , \hat{O}_1 , \hat{O}_2 . In scheme (4) for \hat{O}_3 , unlike the first three schemes, there is only a single mirror in a arm, and hence creates a symmetric Mach-Zehnder interferometer having a Dove prism in b arm.

Any first order spatial mode ψ can be expressed as

$$\hat{\psi} = \hat{a}_{01}u_{01}(\vec{r}) + e^{i\varphi}\hat{a}_{10}u_{10}(\vec{r}), \quad (4)$$

where $u_{01(10)}(\vec{r})$ are the normalized transverse beam amplitude functions for modes HG_{01} (HG_{10}), and φ is the phase difference between modes HG_{10} and HG_{01} . An account of the quantum vacuum noise entering the setup through the unused port BS1 is introduced by defining the operator

$$\hat{v} = \hat{a}_{01}^\nu u_{01}(\vec{r}) + e^{i\varphi}\hat{a}_{10}^\nu u_{10}(\vec{r}), \quad (5)$$

where $\hat{a}_{01(10)}^\nu$ are the quantum vacuum noise operators for HG_{01} (HG_{10}) modes.

With the presence of the two mirrors M1 and M2, in a arm for schemes (1) and (2), the HG_{10} mode receives an extra phase $e^{i\pi}$, that is, $u_{10} \rightarrow -u_{10}$, while HG_{01} mode is not changed, $u_{01} \rightarrow u_{01}$; hence,

$$\hat{\psi}_a = \frac{1}{\sqrt{2}}(\hat{a}_{01}u_{01} - e^{i\varphi}\hat{a}_{10}u_{10} + \hat{a}_{01}^\nu u_{01} - e^{i\varphi}\hat{a}_{10}^\nu u_{10}), \quad (6)$$

whereas in b arm, we have

$$\hat{\psi}_b = \frac{1}{\sqrt{2}}(\hat{a}_{01}u_{01} + e^{i\varphi}\hat{a}_{10}u_{10} - \hat{a}_{01}^\nu u_{01} - e^{i\varphi}\hat{a}_{10}^\nu u_{10}), \quad (7)$$

The two output states of beam splitter BS2 are

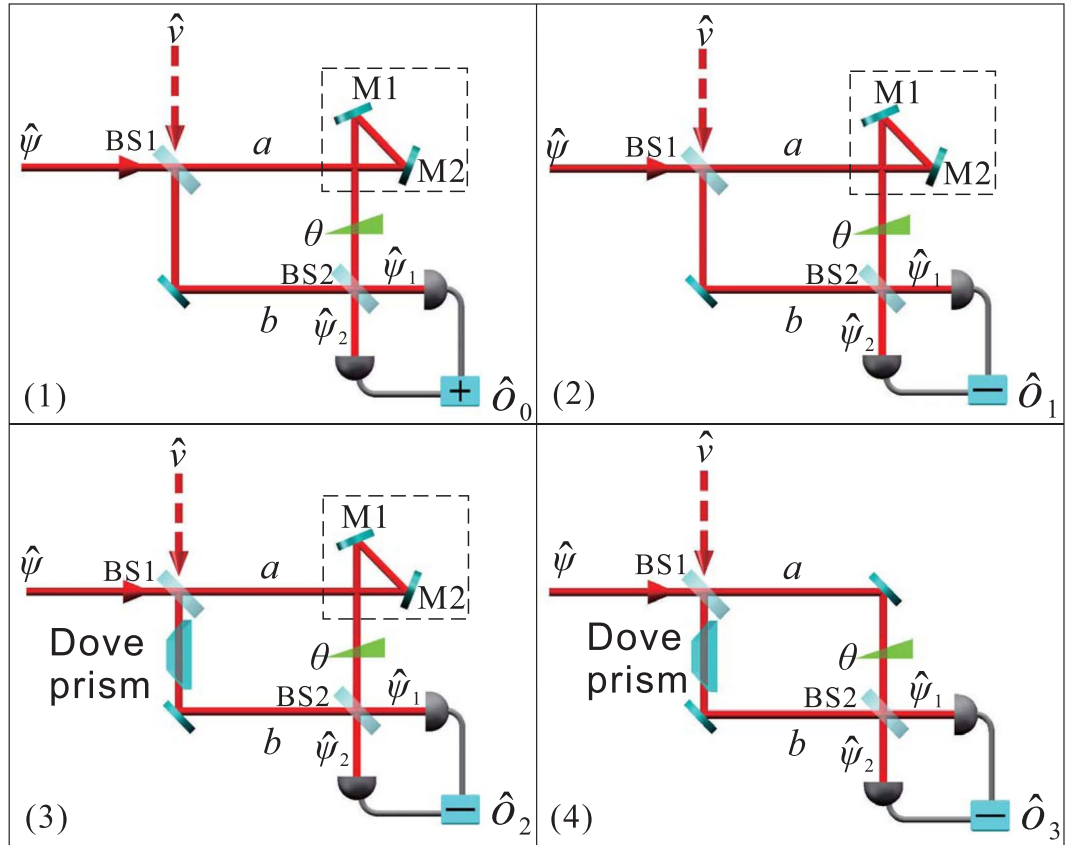


Figure 3. Detection scheme for the four orbital Stokes operators $\hat{O}_0, \hat{O}_1, \hat{O}_2, \hat{O}_3$.

$$\begin{aligned} \hat{\psi}_1 &= \frac{1}{\sqrt{2}}(\hat{\psi}_a + e^{i\theta}\hat{\psi}_b) \\ \hat{\psi}_2 &= \frac{1}{\sqrt{2}}(\hat{\psi}_a - e^{i\theta}\hat{\psi}_b), \end{aligned} \tag{8}$$

where θ is the relative phase between the two arms of the interferometer. When $\theta=0$, the sum of the two photocurrents is

$$\int \hat{\psi}_1^\dagger \hat{\psi}_1 d\vec{r}^2 + \int \hat{\psi}_2^\dagger \hat{\psi}_2 d\vec{r}^2 = \hat{a}_{01}^\dagger \hat{a}_{01} + \hat{a}_{10}^\dagger \hat{a}_{10} = \hat{O}_0, \tag{9}$$

which is just the first orbital Stokes operator as defined in Eq. (1). The difference in the two photocurrents is

$$\int \hat{\psi}_2^\dagger \hat{\psi}_2 d\vec{r}^2 - \int \hat{\psi}_1^\dagger \hat{\psi}_1 d\vec{r}^2 = \hat{a}_{10}^\dagger \hat{a}_{10} - \hat{a}_{01}^\dagger \hat{a}_{01} = \hat{O}_1, \tag{10}$$

which is the second orbital Stokes operator [see Eq. (1)].

For a arm of scheme (3), the equation is the same as Eq. (5), whereas in b arm, the Dove prism is used to rotate the mode by 90° , that is, $u_{01} \rightarrow u_{10}, u_{10} \rightarrow -u_{01}$, and therefore

$$\hat{\psi}_b = \frac{1}{\sqrt{2}}(\hat{a}_{01}u_{10} - e^{i\varphi}\hat{a}_{10}u_{01} - \hat{a}_{01}^\nu u_{10} + e^{i\varphi}\hat{a}_{10}^\nu u_{01}), \tag{11}$$

when $\theta=0$. The difference between the two photocurrents is

$$\int \hat{\psi}_2^\dagger \hat{\psi}_2 d\vec{r}^2 - \int \hat{\psi}_1^\dagger \hat{\psi}_1 d\vec{r}^2 = \hat{a}_{01}^\dagger \hat{a}_{10} e^{i\varphi} + \hat{a}_{10}^\dagger \hat{a}_{01} e^{-i\varphi} = \hat{O}_2, \tag{12}$$

which is the third orbital Stokes operator [see Eq. (1)].

For a arm of scheme (4),

$$\hat{\psi}_a = \frac{1}{\sqrt{2}}(\hat{a}_{01}u_{01} + e^{i\varphi}\hat{a}_{10}u_{10} + \hat{a}_{01}^\nu u_{01} + e^{i\varphi}\hat{a}_{10}^\nu u_{10}), \tag{13}$$

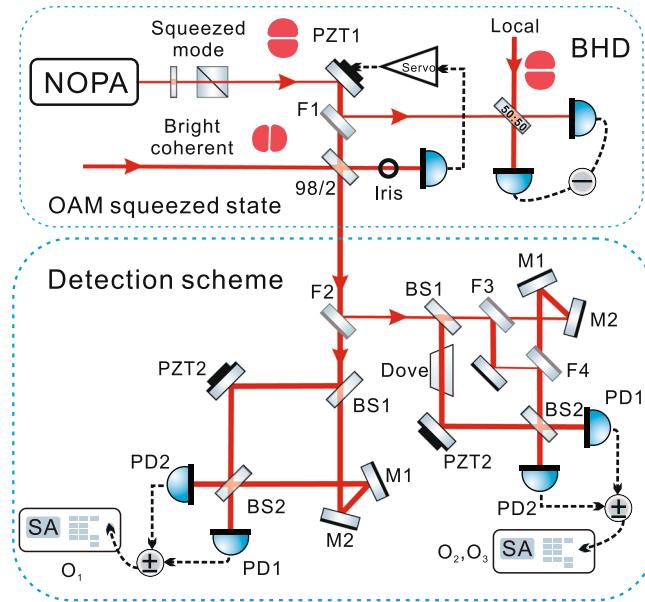


Figure 4. Experimental set-up for the generation and detection of OAM squeezed states. PZTs: piezoelectric transducers, 98/2: 98/2 beam splitter, BSs: 50/50 beam splitter, Ms: high-reflectivity mirrors, Fs: flip mirrors, Dove: Dove prism, PDs: photodetectors, (+/-): positive/negative combiner, SA: spectrum analyser, Servo: servo amplifier circuit for feedback system.

whereas in b arm, with the Dove prism inserted, the state is the same as Eq. (10). When $\theta = \frac{\pi}{2}$,

$$\int \hat{\psi}_1^\dagger \hat{\psi}_1 d\vec{r}^2 - \int \hat{\psi}_2^\dagger \hat{\psi}_2 d\vec{r}^2 = i\hat{a}_{10}^\dagger \hat{a}_{01} e^{-i\varphi} - i\hat{a}_{01}^\dagger \hat{a}_{10} e^{i\varphi} = \hat{O}_3, \tag{14}$$

which is the fourth orbital Stokes operator [see Eq. (1)]. Therefore, we can use the detection scheme to measure the four orbital Stokes operators¹⁶, and the quantum vacuum noise has no effect on the results.

Considering the imperfection of the setup and assuming the mode conversion efficiency η_i of the two mirrors M1 and M2 and η_2 of the Dove prism, the modes through the conversions of mirrors M1 and M2 become $u_{10} \rightarrow -\sqrt{\eta_1}u_{10} + \sqrt{1-\eta_1}u_{01}$, $u_{01} \rightarrow \sqrt{\eta_1}u_{01} + \sqrt{1-\eta_1}u_{10}$, and the modes after the rotations of Dove prism become $u_{10} \rightarrow -\sqrt{\eta_2}u_{01} + \sqrt{1-\eta_2}u_{10}$, $u_{01} \rightarrow \sqrt{\eta_2}u_{01} + \sqrt{1-\eta_2}u_{10}$. Then the result for scheme (1) is still \hat{O}_0 . For scheme (2), it becomes $\sqrt{\eta_1}\hat{O}_1 + \sqrt{1-\eta_1}\hat{O}_2$, and the noise becomes $\eta_1\Delta^2\hat{O}_1 + (1-\eta_1)\Delta^2\hat{O}_2$. For scheme (3), it becomes $(\sqrt{\eta_1}\sqrt{1-\eta_2} + \sqrt{\eta_2}\sqrt{1-\eta_1})\hat{O}_1 + (\sqrt{\eta_1}\sqrt{\eta_2} - \sqrt{1-\eta_1}\sqrt{1-\eta_2})\hat{O}_2$, neglecting the second order small terms $(1-\eta_1)(1-\eta_2)$ and $\sqrt{1-\eta_1}\sqrt{1-\eta_2}$, the noise becomes $[\eta_1(1-\eta_2) + \eta_2(1-\eta_1)]\Delta^2\hat{O}_1 + \eta_1\eta_2\Delta^2\hat{O}_2$. For scheme (4), the result is $\sqrt{\eta_2}\hat{O}_3 + \sqrt{1-\eta_2}(|\alpha_{01}|^2\hat{Y}_{01} + |\alpha_{10}|^2\hat{Y}_{10})$, and the noise becomes $\eta_2\Delta^2\hat{O}_3 + (1-\eta_2)(|\alpha_{01}|^2\Delta^2\hat{Y}_{01} + |\alpha_{10}|^2\Delta^2\hat{Y}_{10})$. Therefore, the imperfections will cause the coupling of different Stokes operators, degrading the detection accuracies for the three Stokes operators. On the other hand, considering the mode matching efficiency ξ^2 between the two arms caused by misalignment of Mach-Zehnder interferometer, the optical transmission efficiency η_{tr} and the quantum efficiency of photodetectors η_{phot} , the noise of \hat{O}_1 becomes $\eta_1\eta_{det}\Delta^2\hat{O}_1 + (1-\eta_1)\eta_{det}\Delta^2\hat{O}_2 + 1 - \eta_{det}$, where $\eta_{det} = \eta_{tr}\eta_{phot}\xi^2$. Similarly, the noise of \hat{O}_2 becomes $[\eta_1(1-\eta_2) + \eta_2(1-\eta_1)]\eta_{det}\Delta^2\hat{O}_1 + \eta_1\eta_2\eta_{det}\Delta^2\hat{O}_2 + 1 - \eta_{det}$, and the noise of \hat{O}_3 becomes $\eta_2\eta_{det}\Delta^2\hat{O}_3 + (1-\eta_2)\eta_{det}(|\alpha_{01}|^2\Delta^2\hat{Y}_{01} + |\alpha_{10}|^2\Delta^2\hat{Y}_{10}) + 1 - \eta_{det}$, so all these inefficiencies will introduce the vacuum noise and degrade the detection efficiencies for \hat{O}_1 , \hat{O}_2 and \hat{O}_3 , further degrading the degree of the measured squeezing in experiment.

Experimental set-up

Referring to the experimental set-up illustrated in Fig. 4, a two mode squeezed state of 1080 nm for HG_{01} mode is generated from a NOPA^{15,21}, then the bright mode which is an amplitude squeezed state is separated by the combination of a half wave plate and a polarizing beam splitter²². The HG_{01} mode squeezed state is firstly detected by a balanced homodyne detection with the flip mirror F1 on, and the squeezing value is obtained. Then F1 is turned off, the HG_{01} squeezed state with power of 30 μW is coupled with a bright coherent HG_{10} mode of 1080 nm with power of 100 mW on a 98/2 beam splitter, ensuring the squeezing power of 98% is transmitted and the coherent power of 2% is reflected, generating the OAM squeezed state. As the definition in Eq. (1), the coupling of HG_{01} mode and HG_{10} mode requires mode matching and phase locking, since the HG_{01} mode and the HG_{10} mode are two orthogonal modes, we assess the mode matching by the interference between the HG_{00} modes which are eigenmodes orthogonal with the HG_{10} modes on the 98/2 beam splitter. In addition, we use an iris to acquire part of the interference of HG_{01} and HG_{10} modes to control the relative phase through a servo system and PZT1, generating different types of OAM squeezed states. We lock the relative phase φ to 0 or $\frac{\pi}{2}$ in the experiment.

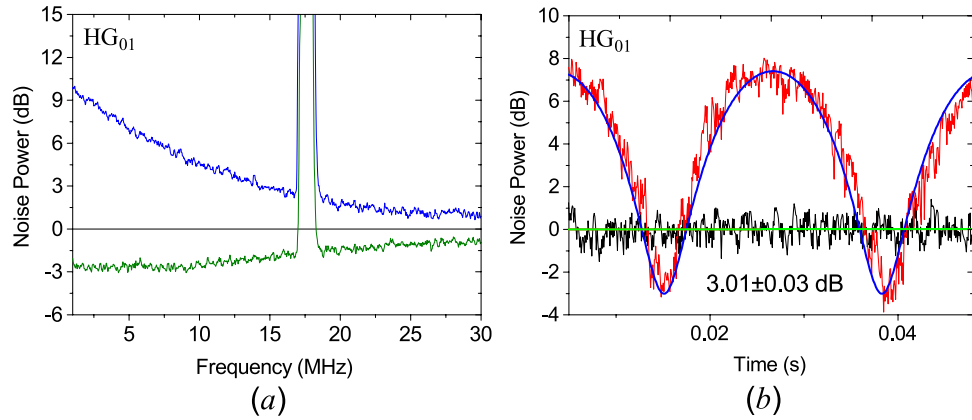


Figure 5. Noise power for the HG_{01} mode. (a) the squeezing and anti-squeezing values for HG_{01} mode from 1 MHz to 30 MHz. (b) the noise power for HG_{01} mode at 5 MHz.

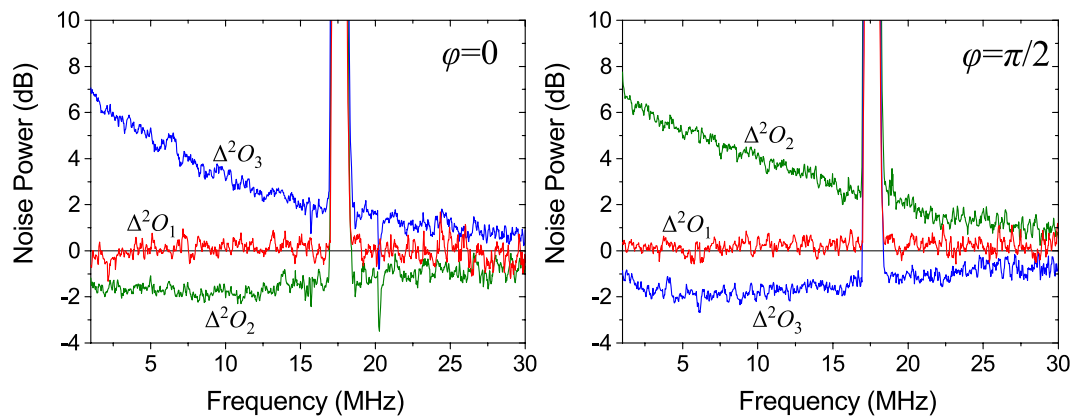


Figure 6. Noise power for the three orbital Stokes operators for OAM squeezed states with $\varphi = 0$ and $\varphi = \pi/2$.

The OAM squeezed states are measured implementing the scheme discussed in the previous section (see Fig. 3). As shown in Fig. 4, we use a flip mirror (F2) to choose where the OAM squeezed state goes. If F2 is off/on, the state goes to the detection scheme for \hat{O}_1/\hat{O}_2 and \hat{O}_3 . The other two flip mirrors, F3 and F4, are used to determine whether \hat{O}_2 or \hat{O}_3 is detected; if F3 and F4 are both off/on, the asymmetric/symmetric Mach–Zehnder interferometer is active, and hence \hat{O}_2/\hat{O}_3 is detected. PZT2 and PZT3 are used to lock the relative phases θ between the two arms of the Mach–Zehnder interferometers. When \hat{O}_1 and \hat{O}_2 are being measured, θ is locked to zero; when \hat{O}_3 is being measured, θ is locked to $\frac{\pi}{2}$. The two outputs of the interferometers enter two photodetectors, and the photocurrents feed a positive/negative combiner (+/−), and these outputs are recorded by a spectrum analyser (SA). A positive combiner (+) determines the SNL; a negative combiner (−) determines the noise of the orbital Stokes operators.

In our scheme, a local oscillator is unneeded, so it is more efficient in certain nonlocal quantum information protocols, such as free-space quantum state distribution^{17,18} which has the potential to form a key component in future quantum networks. In the squeezing enhanced CV quantum key distribution (QKD) protocols, the decoherence as a result of phase relation variations and wave front distortions plays an important role in the degradation of the quantum states, thus standard homodyne measurements at the receiver are challenging¹⁷. Similar to polarization squeezed state, the OAM squeezed state based on our measurement scheme of Stokes operators is promising to supply a way to avoid the problem. Moreover, it can be expanded to high-dimensional CV QKD based on high-dimensional OAM.

Experimental Results

Figure 5 gives the squeezing curves for HG_{01} mode, (a) is the squeezing and anti-squeezing values for HG_{01} mode from 1 MHz to 30 MHz. The squeezing exists over a large frequency domain of 1–30 MHz; (b) is the noise power for HG_{01} mode at 5 MHz. The squeezing value is -3.01 ± 0.03 dB at 5 MHz. Considering the overlap efficiency in balanced homodyne detection $\eta_{hd} = 0.93 \pm 0.01$, and the quantum efficiency of the photodiode $\eta_{phot} = 0.90 \pm 0.02$, the inferred squeezing is -3.95 ± 0.12 dB.

The measured noise powers for the OAM Stokes operators are depicted in Fig. 6. The quantum noise for the first Stokes operator \hat{O}_1 is almost shot noise limited over the frequency domain 1–30 MHz for both $\varphi = 0$ and

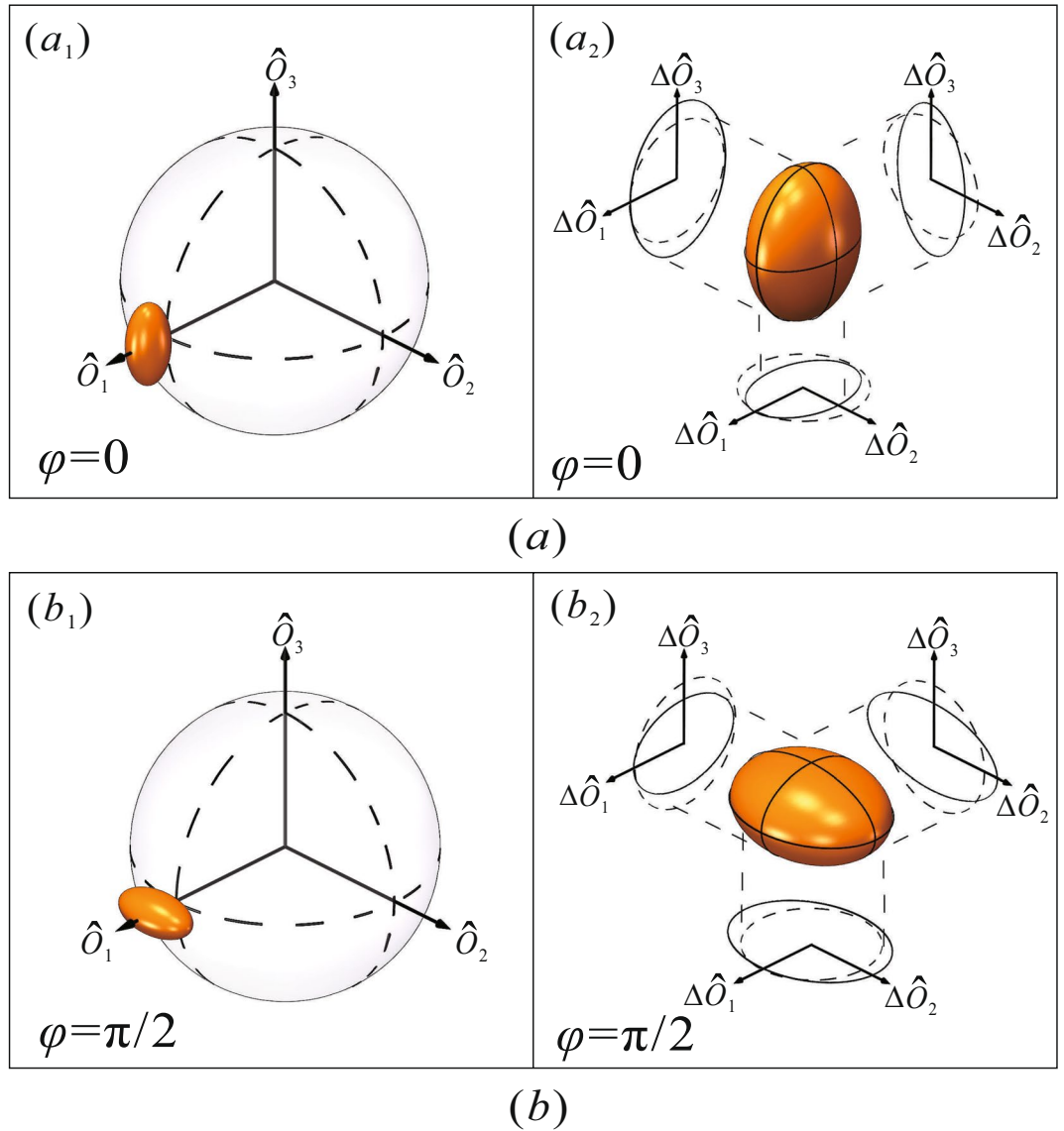


Figure 7. OAM squeezed states mapped onto the orbital Poincaré sphere. **(a)** orbital Poincaré sphere for $\varphi = 0$. **(b)** orbital Poincaré sphere for $\varphi = \pi/2$.

$\varphi = \pi/2$. At 5 MHz, the quantum noise for \hat{O}_1 is -0.07 ± 0.25 dB for $\varphi = 0$ and 0.12 ± 0.22 dB for $\varphi = \pi/2$. When $\varphi = 0$, the quantum noise for the second Stokes operator \hat{O}_2 is squeezed. The squeezing exists over a large frequency domain of 1–30 MHz; the squeezing of -1.70 ± 0.15 dB at 5 MHz is obtained. The third Stokes operator \hat{O}_3 is anti-squeezed, the anti-squeezing noise is 5.06 ± 0.06 dB at 5 MHz. When $\varphi = \pi/2$, the quantum noise for the third Stokes operator \hat{O}_3 is squeezed, and the squeezing also exists over a large frequency domain of 1–30 MHz, and the squeezing of -1.96 ± 0.16 dB at 5 MHz is obtained. The second Stokes operator \hat{O}_2 is anti-squeezed, the anti-squeezing noise is 5.06 ± 0.03 dB at 5 MHz. The peak at 18 MHz is a modulation signal for phase locking.

In experiment, the maximum coupling efficiency on the 98/2 beam splitter for HG_{01} and HG_{10} modes is $\eta_{coup} = 0.93 \pm 0.02$, which is the mode matching efficiency of the HG_{00} modes, and considering the loss of 2% of the squeezed state, the total efficiency is $\eta_{tot} = 0.91 \pm 0.02$. After the 98/2 beam splitter, the squeezing of the Stokes operators \hat{O}_2 and \hat{O}_3 should be -3.41 ± 0.2 dB at 5 MHz, which is inferred from the squeezing of -3.95 ± 0.12 dB for HG_{01} mode.

Considering the detection efficiency, for \hat{O}_2 , the mode matching efficiency of the MZ interferometer is $\xi^2 = 0.92 \pm 0.02$, the optical transmission efficiency is $\eta_{tr} = 0.90 \pm 0.02$, and the quantum efficiency of photodetectors is $\eta_{phot} = 0.90 \pm 0.02$, then the detection efficiency is $\eta_{det} = \eta_{tr}\eta_{phot}\xi^2 = 0.75 \pm 0.05$, additionally considering the mode conversion efficiency $\eta_1 = 0.97 \pm 0.01$ of the two mirrors M1 and M2 and $\eta_2 = 0.97 \pm 0.01$ of the Dove prism, then the inferred noise of \hat{O}_2 at 5 MHz is -2.09 ± 0.36 dB when $\varphi = 0$. For \hat{O}_3 , the mode matching efficiency of the MZ interferometer is $\xi^2 = 0.96 \pm 0.02$, the optical transmission efficiency is $\eta_{tr} = 0.91 \pm 0.02$, and the quantum efficiency of photodetectors is $\eta_{phot} = 0.90 \pm 0.02$, then the detection efficiency is $\eta_{det} = \eta_{tr}\eta_{phot}\xi^2 = 0.79 \pm 0.05$, additionally considering $\eta_2 = 0.97 \pm 0.01$ of the Dove prism, then the inferred noise of \hat{O}_3 at 5 MHz is

-2.33 ± 0.37 dB when $\varphi = \pi/2$. In addition, for \hat{O}_1 , the mode matching efficiency is $\xi^2 = 0.98 \pm 0.02$, the transmission efficiency is $\eta_{tr} = 0.93 \pm 0.02$, and the quantum efficiency of photodetectors is $\eta_{phot} = 0.90 \pm 0.02$, then the detection efficiency is $\eta_{det} = \eta_{tr}\eta_{phot}\xi^2 = 0.82 \pm 0.05$, additionally considering $\eta_1 = 0.97 \pm 0.01$ of the two mirrors M1 and M2, when $\varphi = 0$, the inferred noise of \hat{O}_1 at 5 MHz is -0.08 ± 0.25 dB, when $\varphi = \pi/2$, the inferred noise of \hat{O}_1 at 5 MHz is 0.21 ± 0.25 dB.

Here, we use the HG₀₀ mode interference to estimate the mode matching efficiency of the 98/2 beam splitter, the practical coupling efficiency for HG₀₁ and HG₁₀ modes on the 98/2 beam splitter should be lower than the estimate value, so the measured squeezing for \hat{O}_2 and \hat{O}_3 in experiment are lower than the inferred squeezing values. But for balanced homodyne detection^{13,15}, the measurement results of squeezing are independent of the mode matching efficiency between HG₀₁ and HG₁₀ modes on the 98/2 beam splitter, and it can't infer accuracy results for Stokes operators.

The OAM squeezed states at 5 MHz were mapped onto the orbital Poincaré sphere (Fig. 7); (a) is the orbital Poincaré sphere for $\varphi = 0$, (b) is the orbital Poincaré sphere for $\varphi = \pi/2$, (a₁) and (b₁) show positions and forms of the OAM squeezed states for $\varphi = 0$ and $\varphi = \pi/2$. As the HG₁₀ mode is a bright coherent state, the OAM states are therefore positioned on the positive part of the \hat{O}_1 axis. (a₂) shows the sphere for the quantum noise of the OAM squeezed state with $\varphi = 0$. Here $\Delta\hat{O}_1$ is SNL, $\Delta\hat{O}_2$ is squeezed, and $\Delta\hat{O}_3$ is anti-squeezed; hence it is pancake shaped. Similarly (b₂) shows the sphere for the state with $\varphi = \pi/2$. Note $\Delta\hat{O}_1$ is still SNL, with $\Delta\hat{O}_2$ anti-squeezed and $\Delta\hat{O}_3$ squeezed, and therefore also pancake shaped. The experimental results agree with Eq. (3) well.

Conclusion

The CV OAM squeezed states have great potential in high-dimensional quantum information processing, super-resolution quantum imaging, quantum precise measurement, and quantum storage. We demonstrated experimentally a new measurement scheme for the Stokes operators of the first-order OAM squeezed state. The OAM squeezed states are generated by coupling a HG₀₁ squeezed state with a bright coherent HG₁₀ mode on a 98/2 beam splitter. With the scheme, we measured the squeezing of the Stokes operators. The experiment demonstrates that the scheme is effective and efficient. The CV OAM states with the detection scheme is promising for applications in nonlocal quantum information, and the scheme may be extended to high-order CV OAM states for high-dimensional quantum information processing.

References

- Allen, L., Beijersbergen, M. W., Spreeuw, R. J. C. & Woerdman, J. P. Orbital angular momentum of light and the transformation of laguerre-gaussian laser modes. *Phys. Rev. A* **45**, 8185–8189, doi:10.1103/PhysRevA.45.8185 (1992).
- Li, L. & Li, F. Beating the rayleigh limit: Orbital-angular-momentum-based super-resolution diffraction tomography. *Phys. Rev. E* **88**, 033205, doi:10.1103/PhysRevE.88.033205 (2013).
- Fickler, R. *et al.* Quantum entanglement of high angular momenta. *Science* **338**, 640, <http://science.sciencemag.org/content/338/6107/640.abstract> (2012).
- NicolasA. *et al.* A quantum memory for orbital angular momentum photonic qubits. *Nat. Photon.* **8**, 234–238, doi:10.1038/nphoton.2013.355 (2014).
- D'Ambrosio, V. *et al.* Photonic polarization gears for ultra-sensitive angular measurements. *Nat. Commun.* **4**, 2432, doi:10.1038/ncomms3432 (2013).
- Inoue, R. *et al.* Entanglement of orbital angular momentum states between an ensemble of cold atoms and a photon. *Phys. Rev. A* **74**, 053809, doi:10.1103/PhysRevA.74.053809 (2006).
- Vasilyev, D. V., Sokolov, I. V. & Polzik, E. S. Quantum memory for images: A quantum hologram. *Phys. Rev. A* **77**, 020302, doi:10.1103/PhysRevA.77.020302 (2008).
- Langford, N. K. *et al.* Measuring entangled qutrits and their use for quantum bit commitment. *Phys. Rev. Lett.* **93**, 053601, doi:10.1103/PhysRevLett.93.053601 (2004).
- Walborn, S. P., Pádua, S. & Monken, C. H. Conservation and entanglement of hermite-gaussian modes in parametric down-conversion. *Phys. Rev. A* **71**, 053812, doi:10.1103/PhysRevA.71.053812 (2005).
- Mair, A., Vaziri, A., Weihs, G. & Zeilinger, A. Entanglement of the orbital angular momentum states of photons. *Nature* **412**, 313–316, doi:10.1038/35085529 (2001).
- Boyer, V., Marino, A. M. & Lett, P. D. Generation of spatially broadband twin beams for quantum imaging. *Phys. Rev. Lett.* **100**, 143601, doi:10.1103/PhysRevLett.100.143601 (2008).
- Boyer, V., Marino, A. M., Pooser, R. C. & Lett, P. D. Entangled images from four-wave mixing. *Science* **321**, 544, <http://science.sciencemag.org/content/321/5888/544.abstract> (2008).
- Lassen, M., Leuchs, G. & Andersen, U. L. Continuous variable entanglement and squeezing of orbital angular momentum states. *Phys. Rev. Lett.* **102**, 163602, doi:10.1103/PhysRevLett.102.163602 (2009).
- dos Santos, B. C., Dechoum, K. & Khoury, A. Z. Continuous-variable hyperentanglement in a parametric oscillator with orbital angular momentum. *Phys. Rev. Lett.* **103**, 230503, doi:10.1103/PhysRevLett.103.230503 (2009).
- Liu, K., Guo, J., Cai, C., Guo, S. & Gao, J. Experimental generation of continuous-variable hyperentanglement in an optical parametric oscillator. *Phys. Rev. Lett.* **113**, 170501, doi:10.1103/PhysRevLett.113.170501 (2014).
- Hsu, M. T. L., Bowen, W. P. & Lam, P. K. Spatial-state stokes-operator squeezing and entanglement for optical beams. *Phys. Rev. A* **79**, 043825, doi:10.1103/PhysRevA.79.043825 (2009).
- Peuntinger, C. *et al.* Distribution of squeezed states through an atmospheric channel. *Phys. Rev. Lett.* **113**, 060502, doi:10.1103/PhysRevLett.113.060502 (2014).
- Elser, D. *et al.* Feasibility of free space quantum key distribution with coherent polarization states. *New Journal of Physics* **11**, 045014, <http://stacks.iop.org/1367-2630/11/i=4/a=045014> (2009).
- Padgett, M. J. & Courtial, J. Poincaré-sphere equivalent for light beams containing orbital angular momentum. *Opt. Lett.* **24**, 430–432, <http://ol.osa.org/abstract.cfm?URI=ol-24-7-430> (1999).
- Sasada, H. & Okamoto, M. Transverse-mode beam splitter of a light beam and its application to quantum cryptography. *Phys. Rev. A* **68**, 012323, doi:10.1103/PhysRevA.68.012323 (2003).
- Guo, J. *et al.* Higher order mode entanglement in a type ii optical parametric oscillator. *Opt. Express* **25**, 4985–4993, <http://www.opticsexpress.org/abstract.cfm?URI=oe-25-5-4985> (2017).
- Zhang, Y. *et al.* Experimental generation of bright two-mode quadrature squeezed light from a narrow-band nondegenerate optical parametric amplifier. *Phys. Rev. A* **62**, 023813, doi:10.1103/PhysRevA.62.023813 (2000).

Acknowledgements

This work was supported by National Natural Science Foundation of China (NSFC) (91536222, 61405108, 11674205), Ministry of Science and Technology of the People's Republic of China (MOST) (2016YFA0301404), NSFC Project for Excellent Research Team (61121064), and University Science and Technology Innovation Project in Shanxi Province (2015103).

Author Contributions

K. Liu and J. Gao conceived and designed the experiment, J. Guo and C. Cai performed and accomplished the experiment, L. Ma and H. Sun performed part of the experiment, J. Guo, K. Liu and J. Gao analyzed the results. All authors reviewed the manuscript.

Additional Information

Competing Interests: The authors declare that they have no competing interests.

Publisher's note: Springer Nature remains neutral with regard to jurisdictional claims in published maps and institutional affiliations.



Open Access This article is licensed under a Creative Commons Attribution 4.0 International License, which permits use, sharing, adaptation, distribution and reproduction in any medium or format, as long as you give appropriate credit to the original author(s) and the source, provide a link to the Creative Commons license, and indicate if changes were made. The images or other third party material in this article are included in the article's Creative Commons license, unless indicated otherwise in a credit line to the material. If material is not included in the article's Creative Commons license and your intended use is not permitted by statutory regulation or exceeds the permitted use, you will need to obtain permission directly from the copyright holder. To view a copy of this license, visit <http://creativecommons.org/licenses/by/4.0/>.

© The Author(s) 2017